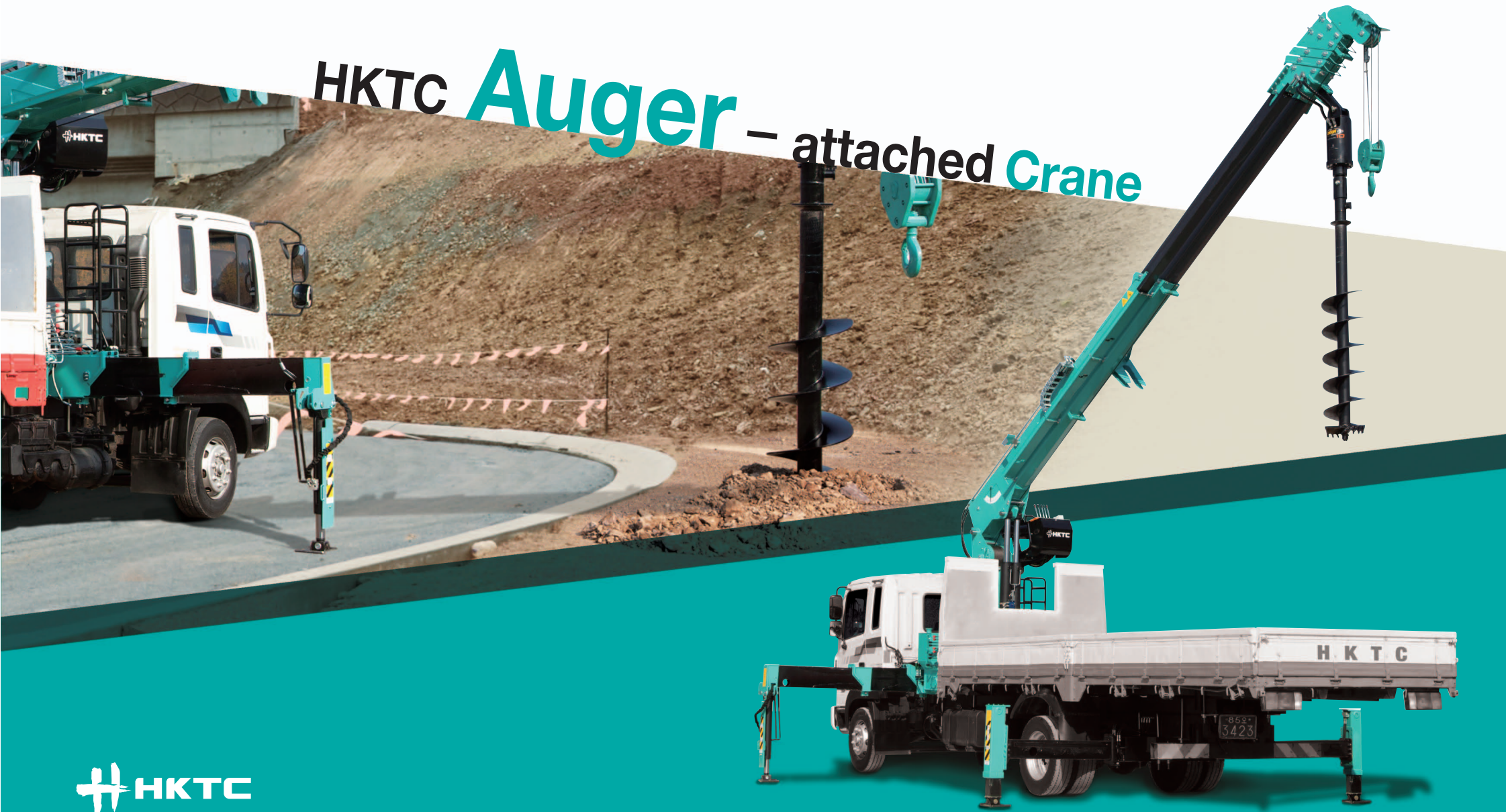


# HKTC Auger – attached Crane





## Multi-purposed & high-performance **Auger Crane**

By manufacturing innovative lifting equipment to fulfill your needs, HKTC continues to share new experiences and values we make to you.

### **Durable boom & best performance**

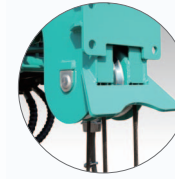
All booms made by ATOS80 having high tensile strength are designed to maximize durability under the powerful & multi-functional performance.

### **Reputable & trusted Drilling Device**

Drilling device made by DIGGA can guarantee high performance and drilling efficiency. For durability, frame base & crane body are reinforced. Size and thickness of 2nd boom are increased to attach drilling device.

### **Never stop evolving**

To pioneer new way up to the invisible beyond customer's expectation, HKTC offers high-end cranes, which are new things to be seen and to be felt.



#### **Pole Supporter**

Steel guide at the rear of the boom can support electric pole solidly.

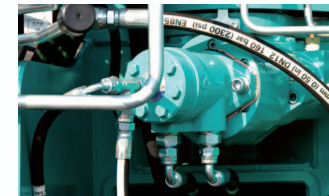
#### **Boom Sliding Pad**

By thin groove on pad surface, cost effectiveness for grease injection can be made.



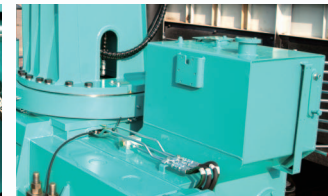
#### **Auger Motor and Reduction Gear**

Volumetrically efficient Motor (EATON) can ensure cost-effective productivity, throughout the working day.



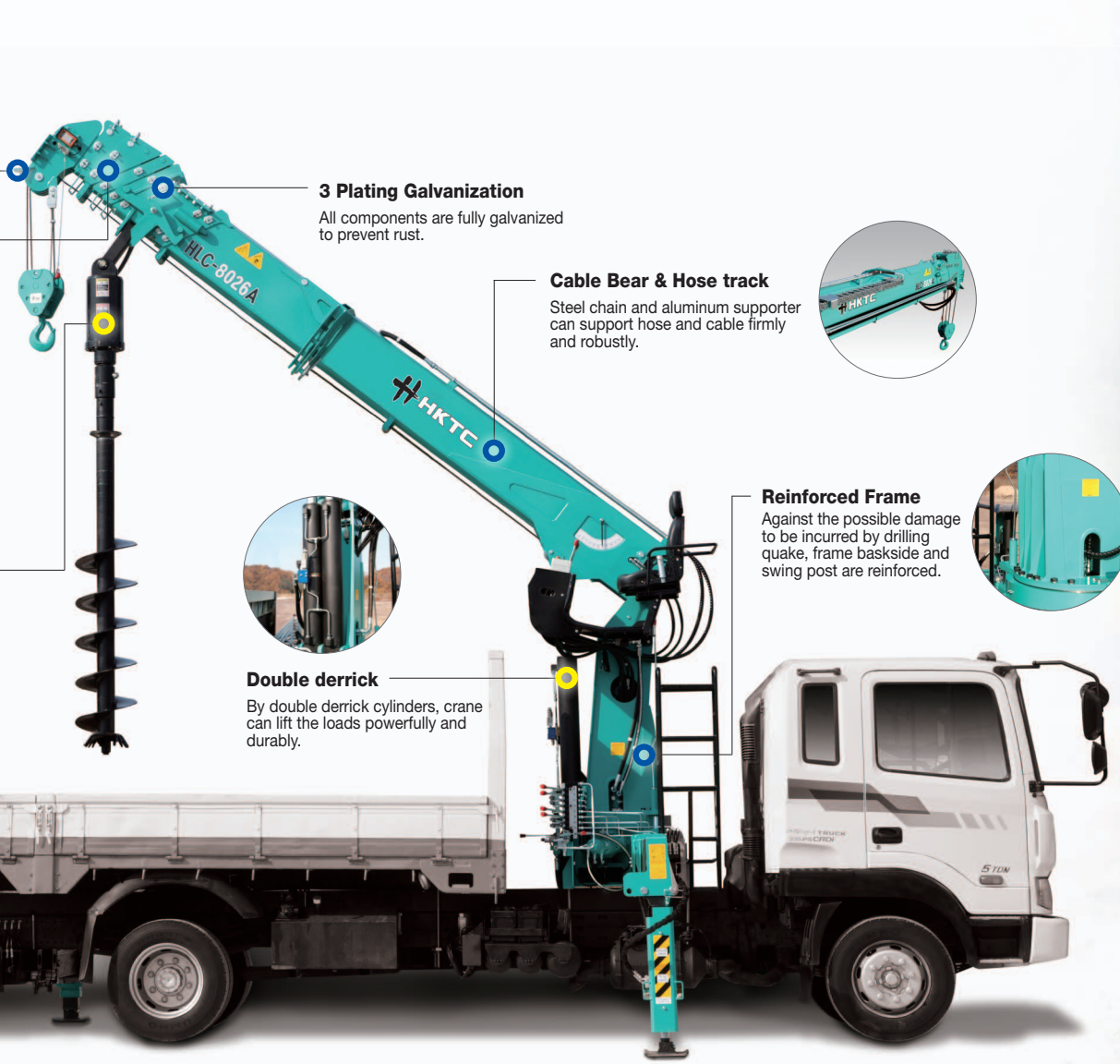
#### **Slewing reduction gear**

For smooth but powerful operation, hydraulic internal brake and worm reduction gear are equipped.



#### **All in one Oil tank**

By all in one oil tank, installation can be made easily and wider loading space can be secured.



**3 Plating Galvanization**

All components are fully galvanized to prevent rust.

**Cable Bear & Hose track**

Steel chain and aluminum supporter can support hose and cable firmly and robustly.



**Reinforced Frame**

Against the possible damage to be incurred by drilling quake, frame baskside and swing post are reinforced.

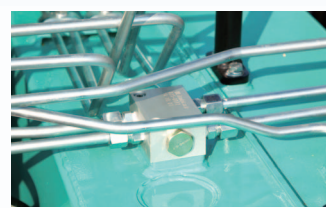


**Double derrick**

By double derrick cylinders, crane can lift the loads powerfully and durably.



**Over center valve**  
By high-quality over-center valve, durability is improved. It can prevent Boom & Derricks falling down.



**Outrigger Check Valve**  
Outrigger check valve can prevent the separation of outrigger during the off-road operation and traveling.



**Main Valve**  
The most qualified main valve from Italia can guarantee effective multi-function and screw spin speed.



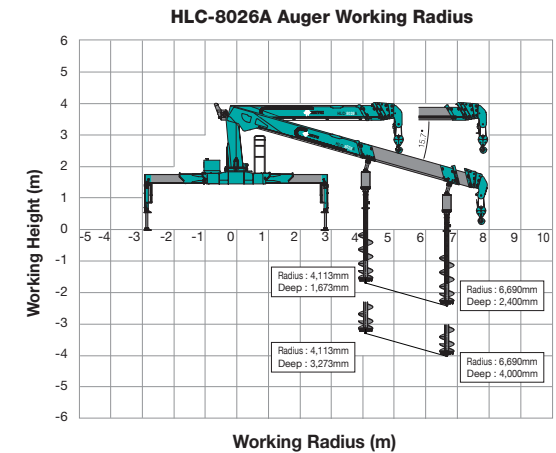
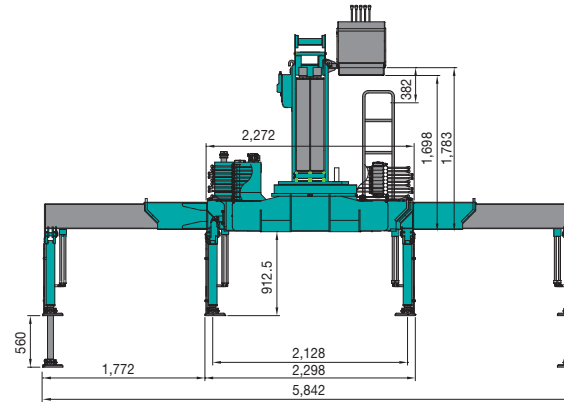
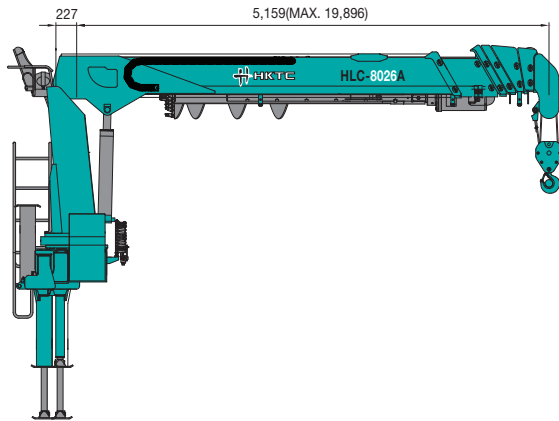
**Top seat console**  
Optimally & ergonomically designed top seat console guarantees all day comfort to operator.



**Remote Controller**  
For maneuverability, optionally remote controller (Hetronics) can be applied.

# Auger Crane (HLC-8026A)

## WORKING RADIUS / SPECIFICATION



Recommendable Truck chassis / More than 7.0 ton (Payload basis)

### • Drilling Device

Model and Maker	PD10HF or equivalent by DIGGA (Origin : Australia)
Hole Diameter	350mm or 450mm
Max. length of Screw	4,470mm
Max. Hole Depth	4,000mm (From Ground)
Working Radius	4,113mm ~ 6,689mm
Hydraulic Motor Torque	866 kg.m
Spin Speed	36 rpm

### • Outrigger

Type (By Hydraulic)	Main	Slewing Type
	Rear	Height adjustable

### • Winch & Hydraulic Devices

Type	Spur gear reduction & Mechanic Brake
Wire Rope	Ø10 x 120mm
Operating Pressure	210 bar
Hydraulic Tank Capacity	120 ℓ

### • Crane

Type	Telescopic 6 Section Booms	
Max. Lifting Capacity	21.0 ton.m	
Lifting Capacity	1st Boom	3,485 kgf / 5.2 m
	2nd Boom	1,965 kgf / 7.8 m
	3rd Boom	1,195 kgf / 10.9 m
	4th Boom	865 kgf / 13.9 m
	5th Boom	635 kgf / 16.9 m
	6th Boom	495 kgf / 19.9 m
Max. Lifting Height	22.0 m	
Max. Working Radius	19.9 m	
Slewing	Angle	360° (Continuous)
	Speed	1.2 rpm
Boom	Angle	-16° ~ 79° (Minus Crane)

In condiiton of attachment of drilling device

#### Remarks

1. According to Boom section adjustment and optional item application, variant models can be available.
2. The specifications are subject to change without prior-notice, according to product improvements.
3. The separate Contract with specification sheet prevails the above-mentioned Specification.



**HanKook Tower Crane Co. Ltd**

1191, Chopyeong-ro, Chopyeong-myeon, Jinchun-gun, Chungbuk. Korea  
 TEL +82-70-4487-8030 FAX +82-43-838-5353 E-mail snha@hktc.co.kr

HKTC1412-01 Vol.01 01. Dec. 2014©2014 HKTC printed in Korea